

Sanitary Fittings - Elbow

卫生级管件-弯头



Product Information 产品信息

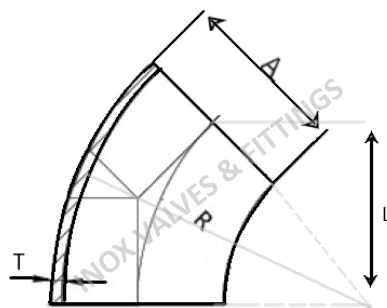
- Steel Material: 304 / 316L
(金属材质)
- Size: 1" to 4" (other sizes available on request)

45° Elbow

45° 弯头

SMS Standard

Size	A	R	T	L
1/2"	12.7	19.1	1.5	13.5
3/4"	19.1	28.6	1.5	20.2
1.0"	25.4	38.1	1.5	26.9
1.5"	38.1	57.2	1.5	40.5
2.0"	50.8	76.2	1.5	53.9
2.5"	63.5	95.3	1.5	67.4
3.0"	76.2	114.3	1.5	80.8
4.0"	101.6	152.4	2.0	107.9

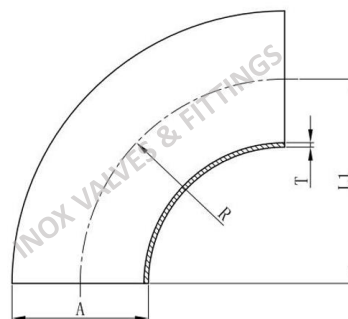


90° Elbow

90° 弯头

SMS Standard

Size	A	R	T	L1
1/2"	12.7	19.1	1.5	19.1
3/4"	19.1	28.6	1.5	28.6
1.0"	25.4	38.1	1.5	38.1
1.5"	38.1	57.2	1.5	57.2
2.0"	50.8	76.2	1.5	76.2
2.5"	63.5	95.2	1.5	95.2
3.0"	76.2	114.3	1.65	114.3
4.0"	101.6	152.4	2.0	152.4
5.0"	129.0	190.5	2.0	190.5

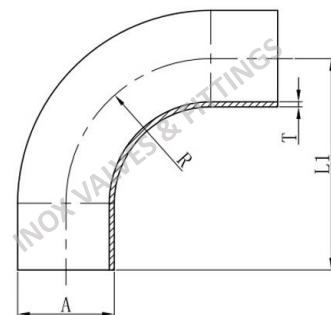


90° Long Elbow

90° 长弯头

SMS Standard

Size	A	R	T	L1
1.0"	25.4	38.1	1.5	55.0
1.5"	38.1	57.2	1.5	70.0
2.0"	50.8	76.2	1.5	82.0
2.5"	63.5	95.2	1.5	105.0
3.0"	76.2	114.3	1.65	110.0
4.0"	101.6	152.4	2.0	150.0
5.0"	129.0	190.5	2.0	254.0



Sanitary Fittings - Elbow

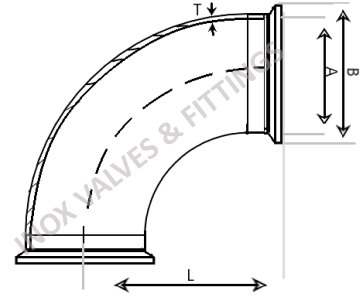
卫生级管件-弯头

90° Elbow- Ferrule End

90° 弯头-快接头

SMS Standard

Size	A	B	T	L
1.0"	22.4	50.8	1.5	50.8
1.5"	35.1	50.8	1.5	69.9
2.0"	47.8	63.5	1.5	88.9
2.5"	60.5	76.2	1.5	108.0
3.0"	73.2	91.0	1.5	127.0
4.0"	97.6	119.0	2.0	168.3

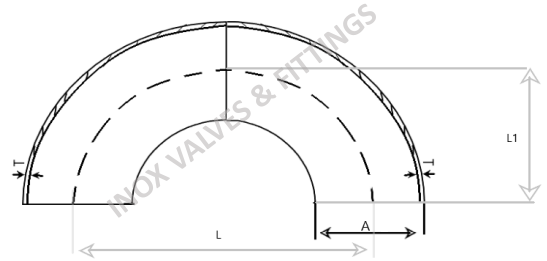


180° U Bend

180° U型弯头

SMS Standard

Size	A	T	L	L1
1.0"	25.4	1.5	76.2	38.1
1.5"	38.1	1.5	114.3	57.2
2.0"	50.8	1.5	152.4	76.2
2.5"	63.5	1.5	190.5	95.3
3.0"	76.2	1.5	228.6	114.3
4.0"	101.6	2.0	304.8	152.4

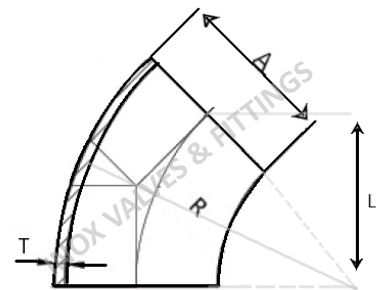


45° Elbow

45° 弯头

DIN Standard

Size	A	T	L	R
DN25	29.0	1.5	35.4	50.0
DN32	35.0	1.5	38.9	55.0
DN40	41.0	1.5	42.4	60.0
DN50	53.0	1.5	49.5	70.0
DN65	70.0	2.0	56.6	80.0
DN80	85.0	2.0	63.6	90.0
DN100	104.0	2.0	70.7	100.0
DN125	129.0	2.0	132.6	187.5

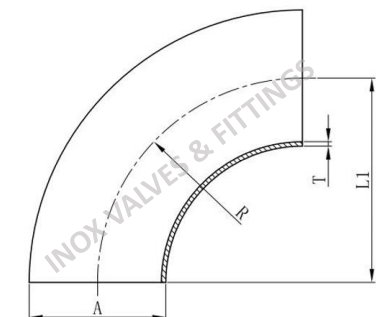


90° Elbow

90° 弯头

DIN Standard

Size	A	R	T	L1
DN25	29.0	50.0	1.5	50.0
DN32	35.0	55.0	1.5	55.0
DN40	41.0	50.0	1.5	60.0
DN50	53.0	70.0	1.5	70.0
DN65	70.0	80.0	2.0	80.0
DN80	85.0	90.0	2.0	90.0
DN100	104.0	100.0	2.0	100.0
DN125	129.0	187.5	2.0	187.5

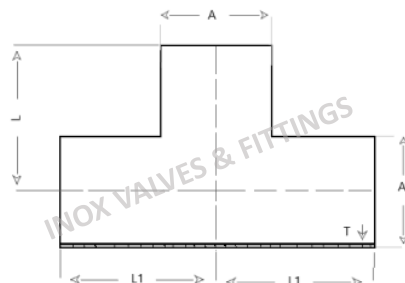


Sanitary Fittings - Tee

卫生级管件 - 三通/ 四通

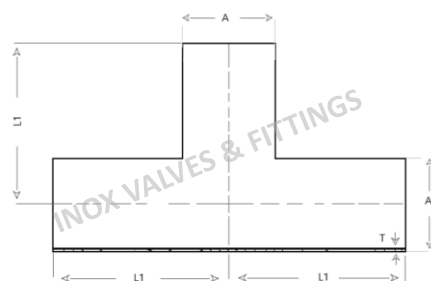
Equal Tee
等径三通

Size	A	T	L1	L
1/2"	12.7	1.5	25.4	50.8
3/4"	19.05	1.5	25.4	50.8
1.0"	25.4	1.5	28.6	57.2
1.5"	38.1	1.5	42.1	84.2
2.0"	50.8	1.5	52.4	104.8
2.5"	63.5	1.5	59.5	119.0
3.0"	76.2	1.5	65.9	131.8
4.0"	101.6	2.0	87.3	174.6



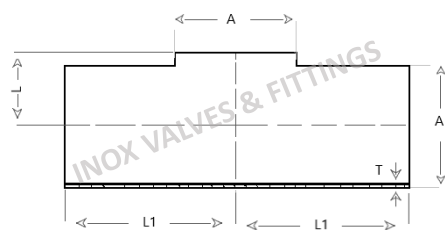
Long Equal Tee
等径长三通

Size	A	T	L1	L
1.0"	25.4	1.5	55.0	110.0
1.5"	38.1	1.5	70.0	140.0
2.0"	50.8	1.5	82.0	164.0
2.5"	63.5	1.5	105.0	210.0
3.0"	76.2	1.5	110.0	220.0
4.0"	101.6	2.0	150.0	300.0



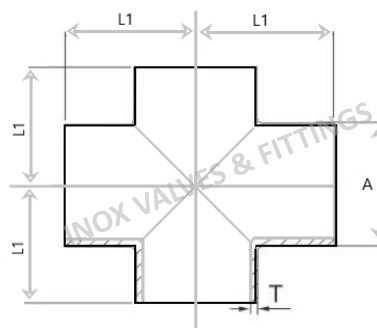
Equal Tee with Short Branch
等径三通 (短口)

Size	A	T	L1	L
1.0"	25.4	1.5	28.6	14.7
1.5"	38.1	1.5	42.1	21.8
2.0"	50.8	1.5	52.4	28.5
2.5"	63.5	1.5	59.5	35.5
3.0"	76.2	1.5	65.9	42.2
4.0"	101.6	2.0	87.3	55.0



Cross Tee
等径四通

Size	A	T	L1
1/2"	12.7	1.5	47.6
3/4"	19.0	1.5	47.6
1.0"	25.4	1.5	47.6
1.5"	38.1	1.5	57.2
2.0"	50.8	1.5	76.2
2.5"	63.5	1.5	76.2
3.0"	76.2	1.5	82.6
4.0"	101.6	2.0	98.4

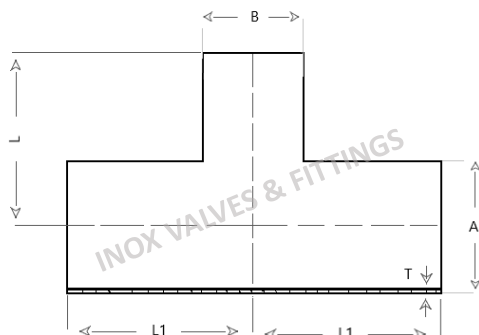


Sanitary Fittings – Reducer Tee

卫生级管件 – 异径三通

Reducer Tee

异径三通



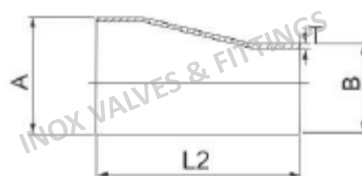
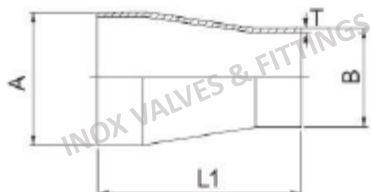
Size	A	B	T	L1	L
3/4" x 1/2"	19.1	12.7	1.5	35.0	35.0
1.0" x 1/2"	25.4	12.7	1.5	47.6	38.1
1.0" x 3/4"	25.4	19.1	1.5	47.6	50.8
1.5" x 1/2"	38.1	12.7	1.5	48.5	44.5
1.5" x 3/4"	38.1	19.1	1.5	48.5	44.5
1.5" x 1.0"	38.1	25.4	1.5	48.5	44.5
2.0" x 1/2"	50.8	12.7	1.5	60.5	51.5
2.0" x 3/4"	50.8	19.1	1.5	60.5	51.5
2.0" x 1.0"	50.8	25.4	1.5	60.5	51.5
2.0" x 1.5"	50.8	38.1	1.5	60.5	51.5
2.5" x 1/2"	63.5	12.7	1.5	67.5	57.5
2.5" x 3/4"	63.5	19.1	1.5	67.5	57.5
2.5" x 1.0"	63.5	25.4	1.5	67.5	57.5
2.5" x 1.5"	63.5	38.1	1.5	67.5	70.5
2.5" x 2.0"	63.5	50.8	1.5	67.5	82.5
3.0" x 1/2"	76.2	12.7	1.5	75.0	63.5
3.0" x 3/4"	76.2	19.1	1.5	82.5	82.5
3.0" x 1.0"	76.2	25.4	1.5	75.0	63.5
3.0" x 1.5"	76.2	38.1	1.5	75.0	76.5
3.0" x 2.0"	76.2	50.8	1.5	75.0	88.5
3.0" x 2.5"	76.2	63.5	1.5	75.0	88.5
4.0" x 1/2"	101.6	12.7	2.0/1.5	100.0	101.0
4.0" x 3/4"	101.6	19.1	2.0/1.5	100.0	101.0
4.0" x 1.0"	101.6	25.4	2.0/1.5	100.0	101.0
4.0" x 1.5"	101.6	38.1	2.0/1.5	100.0	101.0
4.0" x 2.0"	101.6	50.8	2.0/1.5	100.0	101.0
4.0" x 2.5"	101.6	63.5	2.0/1.5	100.0	101.0
4.0" x 3.0"	101.6	76.2	2.0/1.5	100.0	101.0

Sanitary Fittings - Reducer

卫生级管件 - 异径

Con Reducer / ECC Reducer

异径大小头 / 偏心大小头



Size	A	B	T	L1	L2
3/4" x 1/2"	19.1	12.7	1.5	25.4	39.0
1.0" x 1/2"	25.4	12.7	1.5	25.4	38.1
1.0" x 3/4"	25.4	19.1	1.5	25.4	50.8
1.5" x 1.0"	38.1	25.4	1.5	39.0	44.5
2.0" x 1/2"	50.8	12.7	1.5	67.0	51.5
2.0" x 3/4"	50.8	19.1	1.5	50.0	51.5
2.0" x 1.0"	50.8	25.4	1.5	57.0	51.5
2.0" x 1.5"	50.8	38.1	1.5	39.0	51.5
2.5" x 1.0"	63.5	25.4	1.5	74.0	57.5
2.5" x 1.5"	63.5	38.1	1.5	57.0	70.5
2.5" x 2.0"	63.5	50.8	1.5	39.0	82.5
3.0" x 1.0"	76.2	25.4	1.5	95.0	63.5
3.0" x 1.5"	76.2	38.1	1.5	74.0	76.5
3.0" x 2.0"	76.2	50.8	1.5	57.0	88.5
3.0" x 2.5"	76.2	63.5	1.5	39.0	88.5
4.0" x 1.0"	101.6	25.4	2.0/1.5	118.0	101.0
4.0" x 1.5"	101.6	38.1	2.0/1.5	105.0	101.0
4.0" x 2.0"	101.6	50.8	2.0/1.5	95.0	101.0
4.0" x 2.5"	101.6	63.5	2.0/1.5	78.0	101.0
4.0" x 3.0"	101.6	76.2	2.0/1.5	60.0	101.0