

Sanitary Pneumatic Reversing Valve

卫生级气动换向阀

Product Information 产品信息

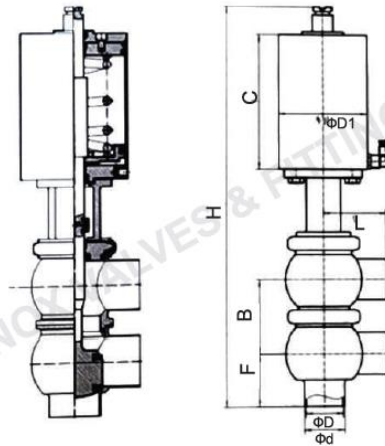
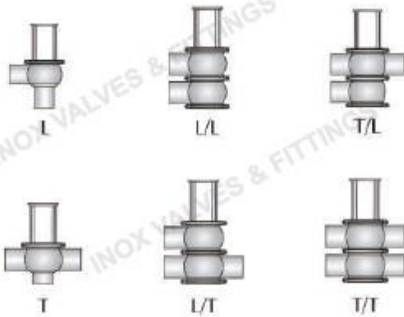
Reversing Valve is used to diversion of fluids. Easy to assembly and disassembly of internal parts by loosening the ferrule clamp.

换向阀可以应用卡箍轻松的拆卸内部部件。

- Operation: Pneumatic
操控：气动
- Working Temperature : -10°C to +135°C
工作温度： -10°C to +135°C
- Working Pressure : 10 bar
工作压力： 10 bar
- Steel Material: Product contact steel components: 316L, non-product contact steel components: 304
- Seal Material : EPDM, Teflon, Viton
密封圈材质： 三元乙丙，四氟乙烯，氟橡胶
- Size: 1" to 3" (other sizes available on request)



Flow Type:



Size	H	A	B	C	D1	L	d	D
1.0"	393.5	48.5	68.0	127.0	85.0	55.0	25.4	22.1
1.5"	393.5	48.5	68.0	127.0	85.0	55.0	38.1	34.8
2.0"	393.5	53.0	75.5	127.0	85.0	65.0	50.8	47.5
2.5"	477.0	66.0	86.5	149.0	108.0	80.0	63/5	59.5
3.0"	524.0	95.0	108.5	145.6	129.0	100.0	76.2	72.2