

Sanitary Round Manhole Cover

卫生级圆形人孔

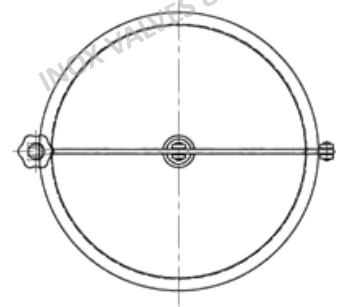
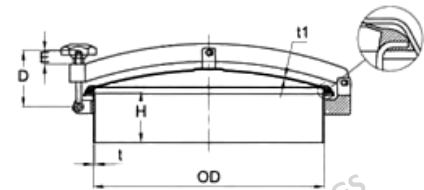
Product Information 产品信息

- Steel Material: 304/ 316L
- Seal Material: EPDM/ Silicon
- Size: 200MM-600MM (other sizes available on request)



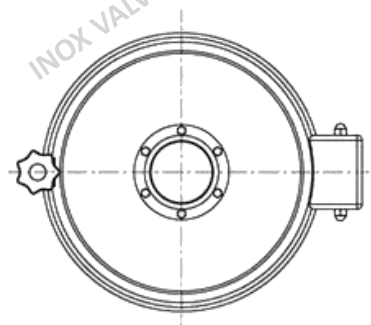
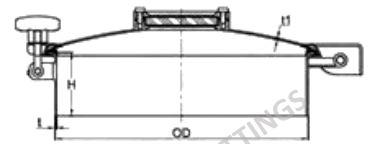
Round Manhole
圆形人孔

Size	OD	T	H	T1	Pressure
200mm	200.0	2.5	100.0	2.0	0-1 bar
300mm	300.0	2.5	100.0	2.0	0-1 bar
350mm	350.0	2.5	100.0	2.0	0-1 bar
400mm	400.0	3.0	100.0	2.5	0-1 bar
430mm	430.0	3.0	100.0	2.5	0-1 bar
450mm	450.0	3.0	100.0	2.5	0-1 bar
500mm	500.0	3.0	100.0	2.5	0-1 bar
600mm	600.0	4.0	100.0	3.0	0-1 bar



Round Manhole with Sight Glass
玻璃视镜圆形人孔

Size	OD	T	H	T1	Sight Glass	Pressure
350mm	350.0	2.5	100.0	2.5	DN80	0-2 bar
400mm	400.0	3.0	100.0	3.0	DN100	0-2 bar
450mm	450.0	3.0	100.0	3.0	DN150	0-2 bar
500mm	500.0	3.0	100.0	3.0	DN200	0-2 bar
600mm	600.0	4.0	100.0	3.0	DN400	0-2 bar



Sanitary Round Pressure Manhole Cover

卫生级圆形压力人孔



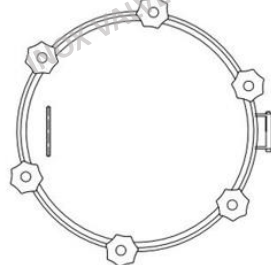
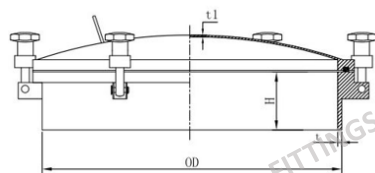
Product Information 产品信息

- Steel Material: 304/ 316L
- Seal Material: EPDM/ Silicon
- Size: 200MM-600MM (other sizes available on request)

Round Pressure Manhole

圆形压力人孔

Size	OD	T	H	T1	Handle	Pressure
200mm	206.0	3.0	100.0	3.0	4	1-3 bar
300mm	306.0	3.0	100.0	3.0	5	1-3 bar
350mm	356.0	3.0	100.0	3.0	5	1-3 bar
400mm	406.0	3.0	100.0	3.0	6	1-3 bar
430mm	436.0	3.0	100.0	3.0	6	1-3 bar
450mm	456.0	3.0	100.0	3.0	6	1-3 bar
500mm	506.0	3.0	100.0	3.0	6	1-3 bar
600mm	606.0	3.0	100.0	3.0	8	1-3 bar



Round Pressure Manhole with Sight Glass

玻璃压力视镜圆形人孔

Size	OD	T	H	T1	Sight Glass	Pressure
200mm	206.0	3.0	100.0	3.0	DN80	1-3 bar
300mm	306.0	3.0	100.0	3.0	DN80	1-3 bar
350mm	356.0	3.0	100.0	3.0	DN80	1-3 bar
400mm	406.0	3.0	100.0	3.0	DN80	1-3 bar
430mm	436.0	3.0	100.0	3.0	DN80	1-3 bar
450mm	456.0	3.0	100.0	3.0	DN80	1-3 bar
500mm	506.0	3.0	100.0	3.0	DN100	1-3 bar
600mm	606.0	3.0	100.0	3.0	DN100	1-3 bar

