

Sanitary Ferrule (Clamp Union)

卫生级快装接头

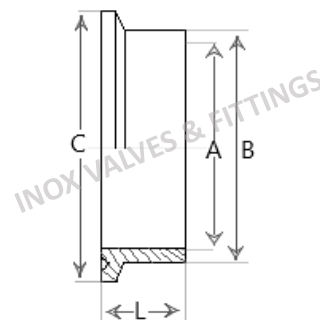


Product Information 产品信息

- Steel Material: 304 / 316L
(金属材料)
- Seal Material : EPDM, Silicone, Teflon, Viton
(密封圈材质) : 三元乙丙, 硅胶, 聚四氟乙烯, 氟橡胶
- Size: 1/2" to 5" (other sizes available on request)

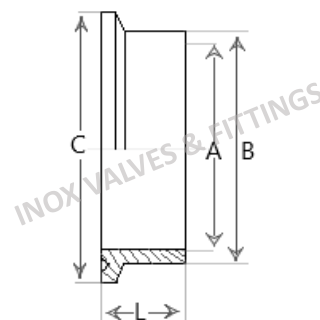
Ferrule
快装接头

Size	A	B	C	L (option 1)	L (option 2)
1/2"	9.7	12.7	25.4	12.7	21.5
3/4"	16.1	19.1	25.4	12.7	21.5
1.0"	22.4	25.4	50.5	12.7	21.5
1.5"	35.1	38.1	50.5	12.7	21.5
2.0"	47.8	50.8	64.0	12.7	21.5
2.5"	60.5	63.5	77.5	12.7	21.5
3.0"	73.2	76.2	91.0	12.7	21.5
4.0"	97.6	101.6	119.0	12.7	21.5
5.0"	123.0	127.0	144.5	-	21.5



DIN Ferrule
快装接头

Size	A	B	C	L (option 1)	L (option 2)
DN10	10.0	13.0	34.0	12.7	21.5
DN15	16.0	19.0	34.0	12.7	21.5
DN20	20.0	23.0	34.0	12.7	21.5
DN25	26.0	29.0	50.5	12.7	21.5
DN32	32.0	35.0	50.5	12.7	21.5
DN40	38.0	41.0	50.5	12.7	21.5
DN50	50.0	53.0	64.0	12.7	21.5
DN65	66.0	70.0	91.0	12.7	21.5
DN80	81.0	85.0	106.0	12.7	21.5
DN100	100.0	104.0	119.0	12.7	21.5
DN125	125.0	129.0	155.0	-	21.5
DN150	150.0	154.0	183.0	-	21.5
DN200	200.0	204.0	233.5	-	21.5
DN250	250.0	254.0	268.5	-	21.5
DN300	300.0	306.0	319.3	-	21.5

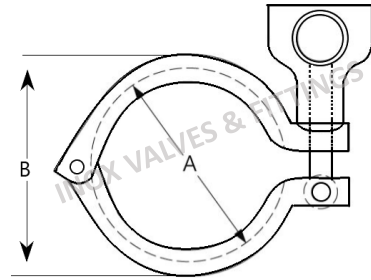


Sanitary Ferrule (Clamp Union)

卫生级快装接头

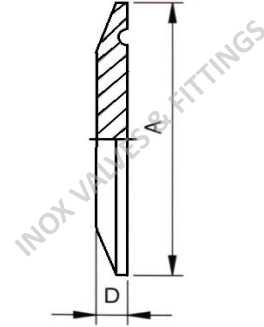
Ferrule Clamp
卡箍

Size	A	B
1/2"	28.3	38.0
3/4"	28.3	38.0
1.0"	54.0	63.8
1.5"	54.0	63.8
2.0"	67.1	77.4
2.5"	81.0	90.4
3.0"	94.5	103.6
4.0"	122.4	132.6



Ferrule End Cap
快装堵头

Size	A	B
1/2"	25.2	5.0
3/4"	25.2	5.0
1.0"	50.5	6.4
1.5"	50.5	6.4
2.0"	64.0	6.4
2.5"	77.5	6.4
3.0"	91.0	6.4
4.0"	119.0	8.0



Ferrule Gasket
密封圈

Size	A
1/2"	22.2
3/4"	22.2
1.0"	50.5
1.5"	50.5
2.0"	64.0
2.5"	77.5
3.0"	91.0
4.0"	119.0

