

# Sanitary Diaphragm Valve (High temperature)

卫生级隔膜阀 (高温)



## Product Information 产品信息

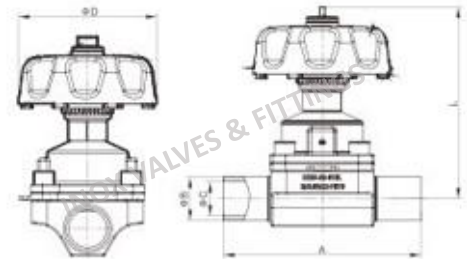
Diaphragm Valve widely used in medicine and bio pharmaceutical industry. To meet the requirement of control and opening/closing of the pipeline system.

隔膜阀广泛应用于医药，生物制药行业。可以实现对管道流体的控制和开关任务。

- Operation: Manual, Pneumatic  
操控：手动，气动
- Working Pressure : 1.0Mpa (10 Bar)  
工作压力：1.0Mpa (10 Bar)
- Steel Material: 304 / 316L  
金属材料：304/316L
- Seal Material : EPDM, Teflon  
密封圈材质：三元乙丙，四氟乙烯
- Size: 3/4" to 2.5"  
(other sizes available on request)

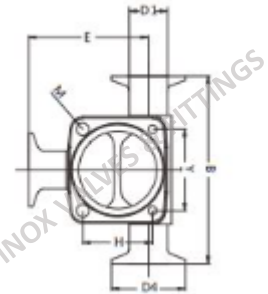
### Diaphragm Valve 隔膜阀

Size	A	B	C	D	L
3/4"	108.0	19.0	15.7	65.0	99.5
1.0"	127.0	25.4	22.1	89.0	122.0
1.5"	160.0	38.1	34.8	109.0	148.5
2.0"	190.0	50.8	60.2	200.0	228.0
2.5"	216.0	63.5	60.2	200.0	228.0



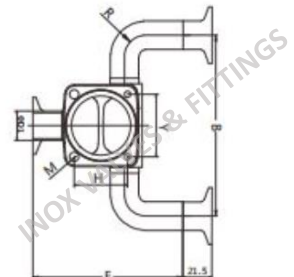
### Diaphragm Valve-T Type T型隔膜阀

Size	D1	B	E	HXY	D4
3/4"	19.0	92.0	65.0	37 X 32	25.2
1.0"	25.4	128.0	81.0	57 X 47	50.5
1.5"	38.1	153.0	112.0	70 X 64	50.5
2.0"	50.8	172.0	142.0	85 X 75	64.0
2.5"	63.5	195.0	156.0	105 X 91	77.5



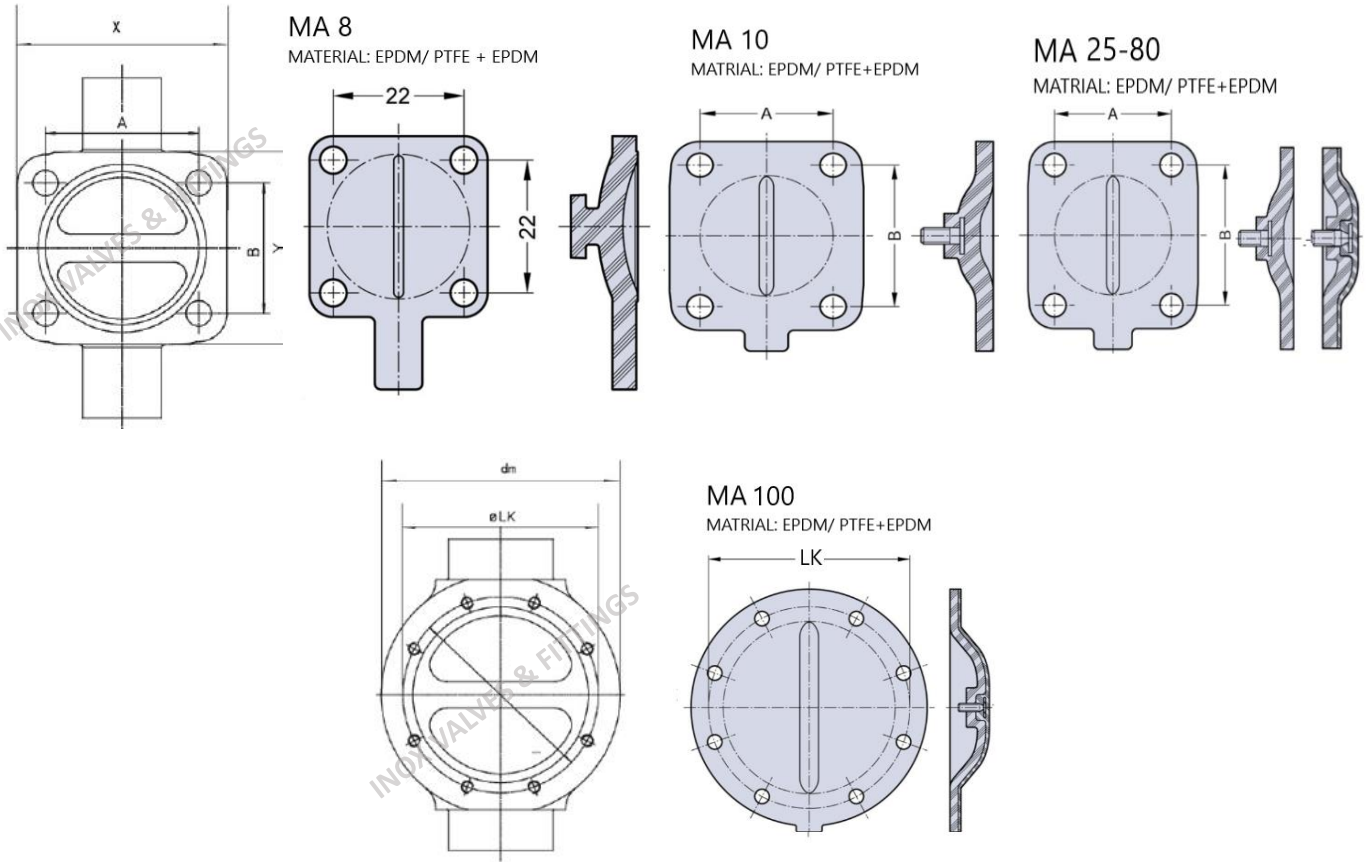
### Diaphragm Valve-U Type U型隔膜阀

Size	D1	B	E	HXY	D3	R
3/4"	19.0	117.0	110.0	37 X 32	25.2	28.5
1.0"	25.4	161.0	132.0	57 X 47	50.5	38.0
1.5"	38.1	208.0	178.0	70 X 64	50.5	48.5
2.0"	50.8	247.0	230.0	85 X 75	64.0	60.6
2.5"	63.5	320.0	265.0	105 X 91	77.5	83.5



# Sanitary Diaphragm Valve (High temperature)

卫生级隔膜阀 (高温)



MA	SIZE	A	B	LK	X	Y	dm
	DN(mm)						
8	4	22	22	-	32	32	-
8	6						
8	8						
8	10						
8	15						
10	10	39	44	-	50	55	-
10	15						
25	15	54	46	-	74	68	-
25	20						
25	25						
40	32	70	65	-	102	92	-
40	40						
50	50	82	78	-	125	110	-
80	65	127	114	-	192	162	-
80	80						
100	100	-	-	194	-	-	234