

Sanitary Butterfly Valve

卫生级蝶阀

Product Information 产品信息

Butterfly Valve widely used in pipeline system to control and regulate medium flow. The pull style handle allows you to set the valve in 3 different positions simply by pulling and turning whereas gripper style handle can set valve in 13 different positions.

蝶阀广泛应用于管道系统内调节介质流量。拉式手柄可以调节四个不同位子而鸭嘴式手柄可以调节13个不同的位子。

- Operation: Manual, Pneumatic, Actuator
操控: 手动, 气动, 电动
- Working Temperature : -10°C to +120°C
工作温度: -10°C to +120°C
- Working Pressure : 10 Bar
工作压力: 10 Bar
- Steel Material: 304 / 316L
金属材质: 304/316L
- Seal Material: EPDM/ SILICON/ VITON
密封圈材质: 三元乙丙/硅胶/ 氟化橡胶
- Size: 1" to 4"
(other sizes available on request)



Butterfly Valve- Weld End

蝶阀-焊接

SMS

Size	A	S	L	H
1.0"	25.4	1.65	50.0	120.0
1.5"	38.1	1.65	50.0	130.0
2.0"	50.8	1.65	52.0	150.0
2.5"	63.5	1.65	56.0	170.0
3.0"	76.2	1.65	60.0	188.0
4.0"	101.6	2.11	75.0	208.0

Butterfly Valve- Weld End

蝶阀-焊接

DIN

Size	A	S	L	H
DN25	28.0	1.50	50.0	120.0
DN40	40.0	1.50	50.0	131.0
DN50	52.0	1.50	52.0	150.0
DN65	70.0	2.00	56.0	170.0
DN80	85.0	2.00	60.0	188.0
DN100	104.0	2.00	75.0	208.0

Butterfly Valve- Ferrule End

蝶球阀-快接头

SMS

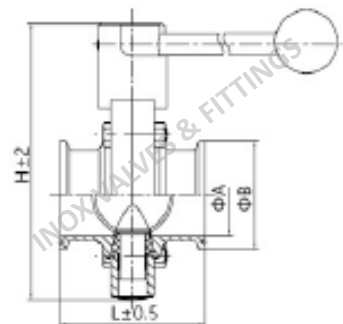
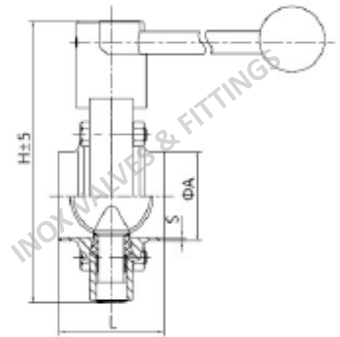
Size	A	B	L	H
1.0"	22.1	50.5	66.0	120.0
1.5"	34.8	50.5	70.0	130.0
2.0"	47.5	64.0	70.0	150.0
2.5"	60.2	77.5	80.0	170.0
3.0"	72.9	91.0	80.0	188.0
4.0"	97.3	119.0	85.0	208.0

Butterfly Valve- Ferrule End

蝶球阀-快接头

DIN

Size	A	B	L	H
DN25	26.0	50.5	66.0	120.0
DN40	38.0	50.5	70.0	130.0
DN50	50.0	64.0	70.0	150.0
DN65	66.0	91.0	72.0	170.0
DN80	81.0	106.0	80.0	188.0
DN100	100.0	119.0	85.0	208.0



Sanitary Butterfly Valve

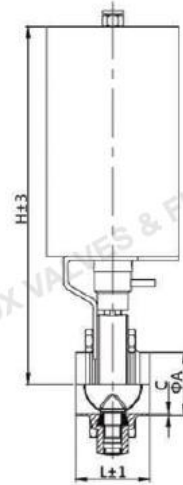
卫生级蝶阀

Butterfly Valve- Weld End with Pneumatic

蝶球阀-快接头

SMS

Size	A	B	L	H
1.0"	22.1	50.5	66.0	223.0
1.5"	34.8	50.5	70.0	228.0
2.0"	47.5	64.0	70.0	236.0
2.5"	60.2	77.5	80.0	244.0
3.0"	72.9	91.0	80.0	249.0
4.0"	97.3	119.0	85.0	267.0



Butterfly Valve- Weld End

蝶阀-焊接

DIN

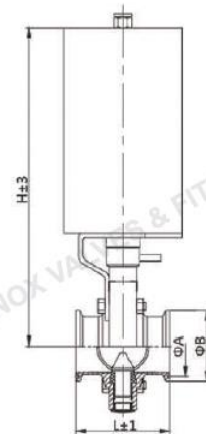
Size	A	S	L	H
DN25	28.0	1.50	50.0	120.0
DN40	40.0	1.50	50.0	131.0
DN50	52.0	1.50	52.0	150.0
DN65	70.0	2.00	56.0	170.0
DN80	85.0	2.00	60.0	188.0
DN100	104.0	2.00	75.0	208.0

Butterfly Valve- Ferrule End with Pneumatic

蝶球阀-快接头

SMS

Size	A	B	L	H
1.0"	22.1	50.5	66.0	223.0
1.5"	34.8	50.5	70.0	228.0
2.0"	47.5	64.0	70.0	236.0
2.5"	60.2	77.5	80.0	244.0
3.0"	72.9	91.0	80.0	249.0
4.0"	97.3	119.0	85.0	267.0



Butterfly Valve- Ferrule End

蝶阀-快接头

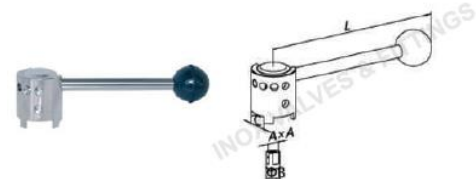
DIN

Size	A	B	L	H
DN25	26.0	50.5	66.0	120.0
DN40	38.0	50.5	70.0	130.0
DN50	50.0	64.0	70.0	150.0
DN65	66.0	91.0	72.0	170.0
DN80	81.0	106.0	80.0	188.0
DN100	100.0	119.0	85.0	208.0

Ball Type Pull Handle

球状拉式手柄

Size	A	B	C	L
1.0"-3.0"	10*10	12.5	20.0	138.0
4.0"	10*10	12.5	20.0	160.0



Gripper Handle

鸭嘴式按压手柄

Size	A	B	C	L
1.0"-3.0"	10*10	12.5	20.0	145.0
4.0"	10*10	12.5	20.0	165.0

