

Sanitary Butterfly Ball Valve

卫生级碟型球阀



Product Information 产品信息

Butterfly Ball Valve can be very good deal with high viscosity, high pressure & high temperature product.

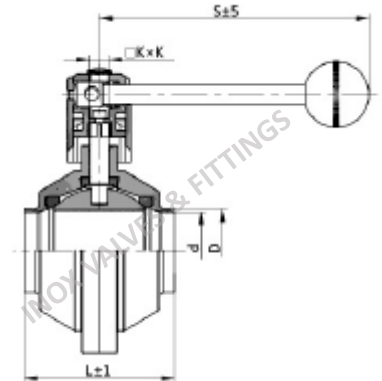
蝶型球阀可以很好的处理高粘性，高压力和高温的产品。

- Operation: Manual, Pneumatic, Actuator
操控: 手动, 气动, 电动
- Working Temperature : -20°C to +135°C
工作温度: -20°C to +135°C
- Sterilization Temperature : 150°C (max 20mins)
灭菌温度: 150°C (最高20分钟)
- Working Pressure : 1.0Mpa (10 Bar)
工作压力: 1.0Mpa (10 Bar)
- Steel Material: 304 / 316L
金属材料: 304/316L
- Seal Material : EPDM
密封圈材质: 三元乙丙
- Size: 1" to 4"
(other sizes available on request)

Butterfly Ball Valve - Weld End

蝶型球阀-焊接

Size	d	D	L	S
1.0"	22.1	25.4	80.0	115.0
1.5"	34.9	38.1	100.0	128.0
2.0"	47.5	50.8	105.0	128.0
2.5"	59.5	63.5	125.0	160.0
3.0"	72.2	76.2	134.0	160.0
4.0"	98.0	101.6	170.0	185.0



Butterfly Ball Valve - Ferrule End

蝶型球阀-快接头

Size	d1	d2	D	L
1.0"	22.1	50.5	80.0	115.0
1.5"	34.9	50.5	100.0	128.0
2.0"	47.5	64.0	105.0	128.0
2.5"	59.5	77.5	125.0	160.0
3.0"	72.2	91.0	134.0	160.0
4.0"	98.0	119.0	170.0	185.0

